

• ED2589M 7 Series.



DC Brushless fan.

Size: Ø 254 × 89 mm

Ø 10 x 3.5 inches

Airflow: Max. 1030 CFM / 29.2 m3/min

Metal Frame / Metal Impeller

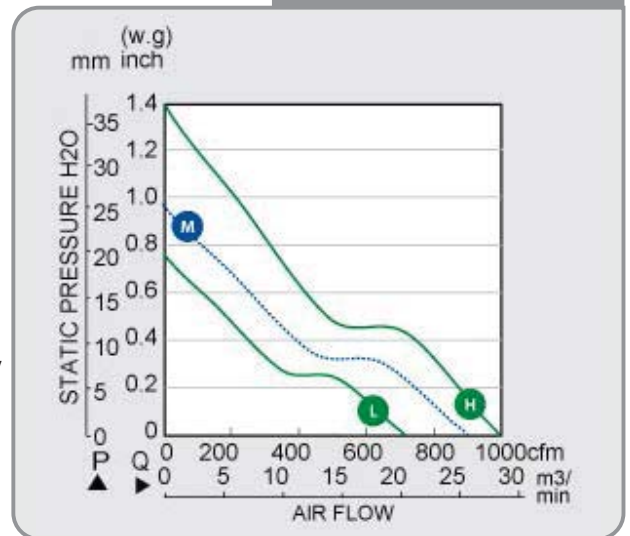
Model No.	Rated Voltage	Voltage Range	Input Power	Rated Current	Ref Speed	Max. Airflow		Max. Static Pressure		Noise Level	PQ Curves
	VDC	VDC	Watt	Amp	RPM	CFM	m3/min	Inch/H2O	mm/H2O	dB (A)	
ED2589M-12H**7	12	10~13.2	130	10.8	2800	890	25.2	1.1	27.94	70	H
ED2589M-12M**7	12	10~13.8	93	7.8	2500	830	23.5	1.08	27.43	65	M
ED2589M-12L**7	12	10~13.8	72	6	2000	680	19.3	0.88	22.35	58	L
ED2589M-24H**7	24	18~26	125	5.2	3300	1030	29.3	1.43	36.32	71	H
ED2589M-24M**7	24	18~26.4	93	3.9	2500	830	23.5	1.08	27.43	65	M
ED2589M-24L**7	24	18~27.6	72	3	2000	680	19.3	0.88	22.35	58	L
ED2589M-48H**7	48	24~53	125	2.6	3300	1030	29.2	1.43	36.32	73	H
ED2589M-48M**7	48	24~55	93	1.9	2500	830	23.5	1.08	27.43	65	M
ED2589M-48L**7	48	24~58	72	1.5	2000	680	19.3	0.88	22.35	58	L

** = "BL" for Ball bearing wire lead type, or "BT" for Ball bearing terminal type.

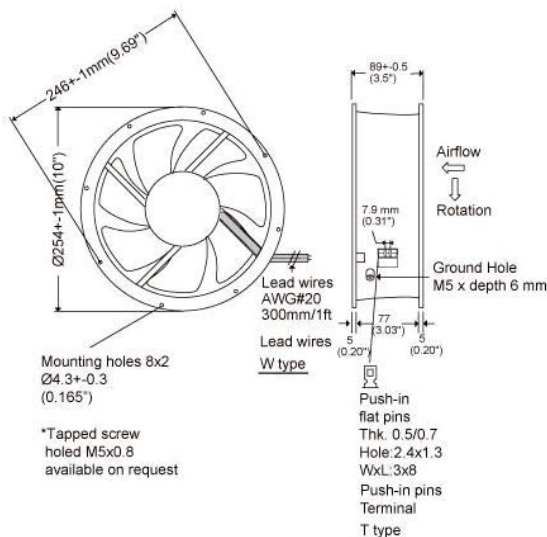
We Reserve the right to change data and improve electrical & mechanical design without notice, data tolerance +/- 10%

Motor Type:	Microprocessor brushless DC Motor, auto cutoff, auto restart
Burnout Protection:	Electronically protected, polarity protected
IP Protection:	IP55 , 56 Optional request
Mechanical	
Frame:	Aluminum die cast, Natural coating treatment
Impeller:	7 blades, all metal
Bearing:	Two ball bearings
Rotation:	CCW at left (L) seen on rotor
Connection:	Wire lead or terminal flat pin connecting
Weight:	2300 g (5.07 Lbs)
Electronical	
Dielectric Strength:	500 VAC/min. Max leakage 500mA
Speed Control:	Optional:PWM, S/C NTC thermister,0~10V control voltage S/V
Signal Output:	Optional:R/D alarm output, tachometer output F/G
Environment	
Operating Temp:	-20°C~+65°C
Storage Temp:	-20°C~+75°C (at 65%RH)
Life Expectancy:	L10 50K hours at 65°C

► Performance P-Q Curves.



► Outline Dimensions.



Fan Accessories



Metal Fan Guards



Plastic Fan Guards



Plastic Fan Filter



Metal Fan Screens